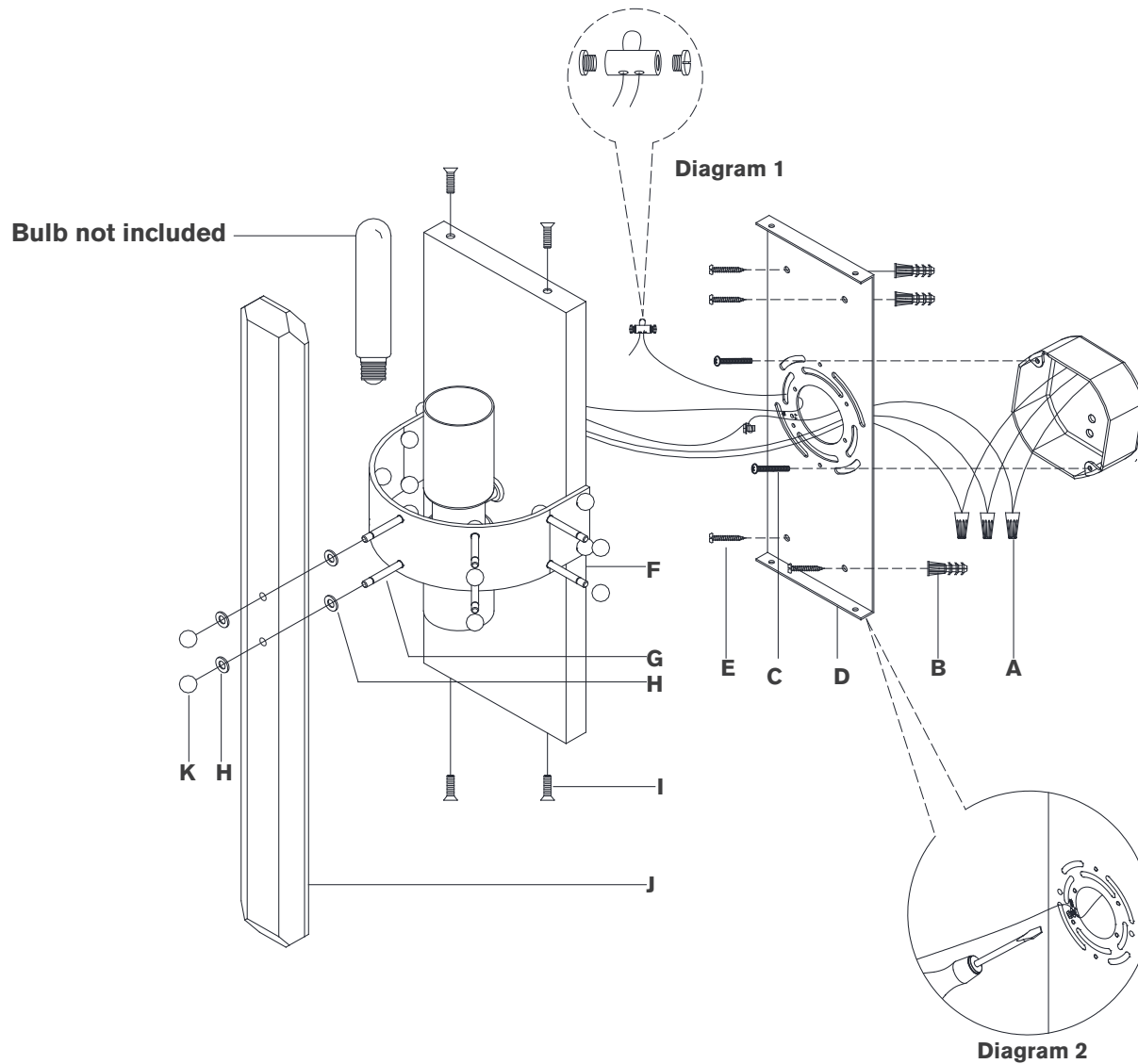


ASSEMBLY INSTRUCTIONS



Bonnington Tall Sconce

Item # ARN 2125

NOTICE:

This light fixture should be installed in accordance with all applicable, local installation codes, and by a person familiar with the construction and operation of it, as well as the hazards involved. Inspect item and contents carefully. If any damage or defect is found, do not install. Retain all packaging material until installation is complete and approved.

9. Connect fixture hot wire (black) to the supply hot wire (usually black) using wire nut **(A)**.
CAUTION: Do not reverse the hot and neutral connections.
10. Make sure all wire connections are tight, then carefully tuck into the junction box.
11. Install fixture **(F)** to mounting plate **(D)** and secure with screws **(I)**.
12. Install light bulbs into the sockets.
13. Remove threaded caps **(K)** and rubber washers **(H)** from threaded nipples.
14. Attach rubber washers **(H)** to either side of the crystal bars **(I)** and secure to threaded nipples with threaded caps **(K)**.
NOTE: Do not overtighten otherwise shade could become damaged.

Care Instructions: Clean only with a soft dry cloth or feather duster. Do not use abrasive or chemical agents.