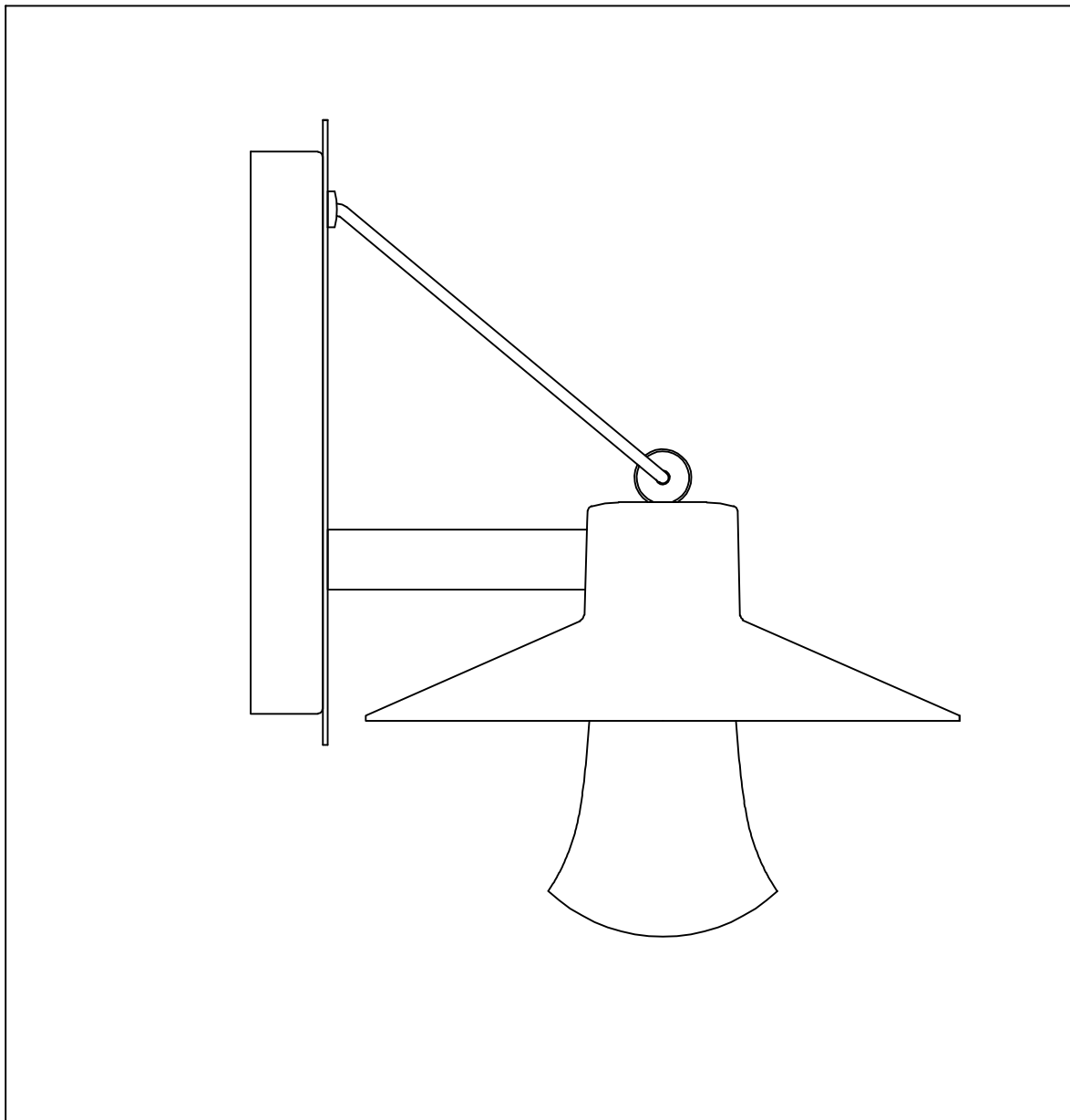




**PRODUCT NAME: Civic**  
**ITEM NUMBER: 54360**

**Please consult your electrician for hanging fixture and wiring.**



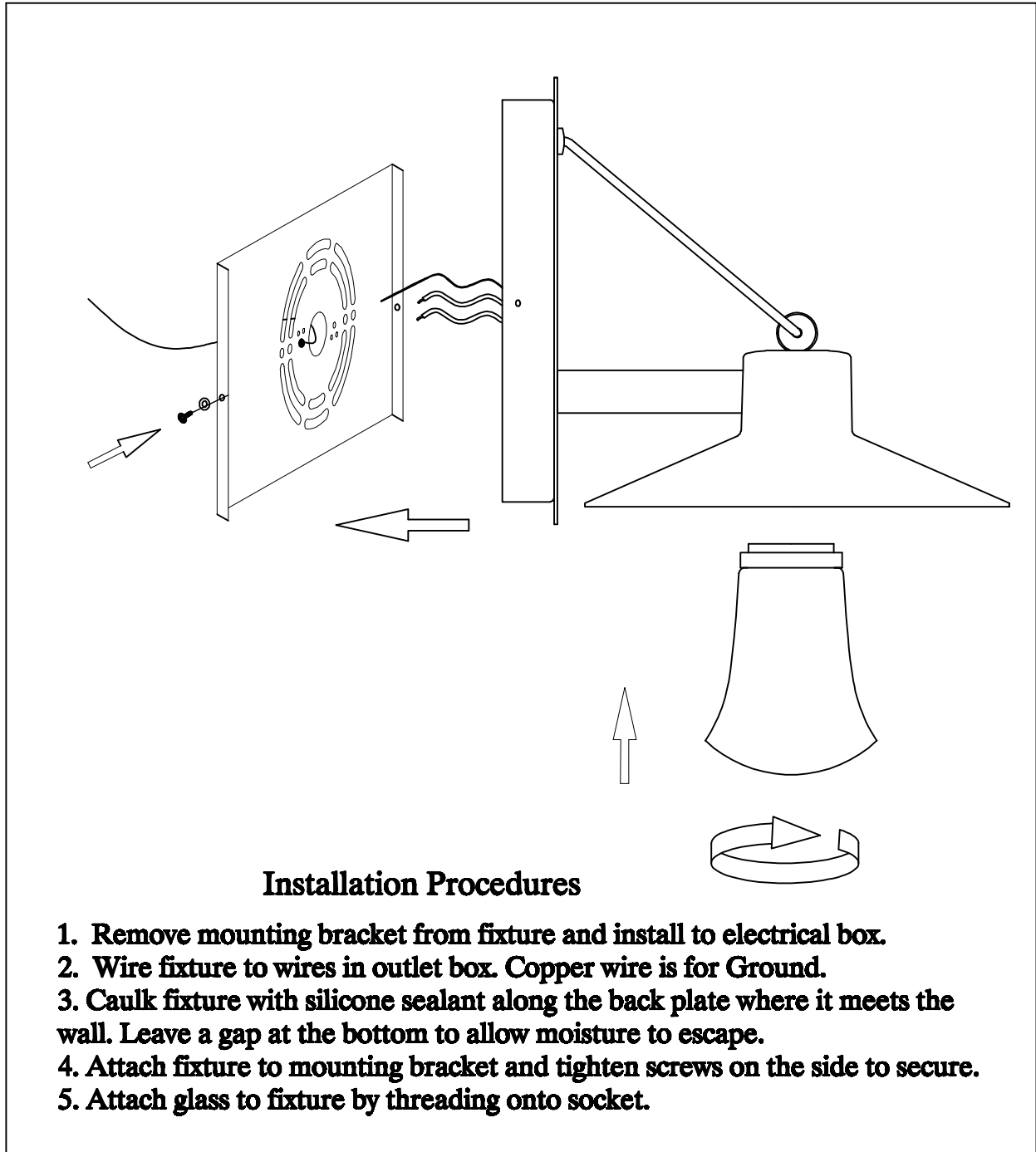
**6W LED**



**PRODUCT NAME:** Civic  
**ITEM NUMBER:** 54360

**CAUTION:** Before starting the installation, disconnect the power by turning off the circuit breaker or by removing the fuse at the fuse box.

Carefully unpack and identify all parts before assembly



### Installation Procedures

1. Remove mounting bracket from fixture and install to electrical box.
2. Wire fixture to wires in outlet box. Copper wire is for Ground.
3. Caulk fixture with silicone sealant along the back plate where it meets the wall. Leave a gap at the bottom to allow moisture to escape.
4. Attach fixture to mounting bracket and tighten screws on the side to secure.
5. Attach glass to fixture by threading onto socket.

**PRODUCTS ARE NOT INENDED  
FOR COMMERCIAL USE.**

**MADE IN CHINA  
Page 2 of (2)**