



KALCO.
Handcrafted Since 1980

ASSEMBLY & INSTALLATION INSTRUCTIONS

MODEL: 404522
LAKEWOOD 4 LIGHT MEDIUM WALL BRACKET

I M A G E



If you have any questions or problems assembling your fixture please call us for assistance.

Customer Service: (702) 361-4345 or (800) 525-2655
customer.services@kalco.com

WARNING! TO REDUCE THE RISK OF FIRE OR INJURY PLEASE TAKE PRECAUTION AND FOLLOW THE STEPS BELOW.

1. If you are unfamiliar with electrical wiring, call a qualified electrician to install this unit. More than one person may be necessary to install fixture, make sure you have enough qualified help.
2. Turn off the power to the fixture's circuit at the service panel. Use a voltage detector to verify that the power is off.
3. DO NOT install bulb which exceeds the maximum wattage specified on the socket label.

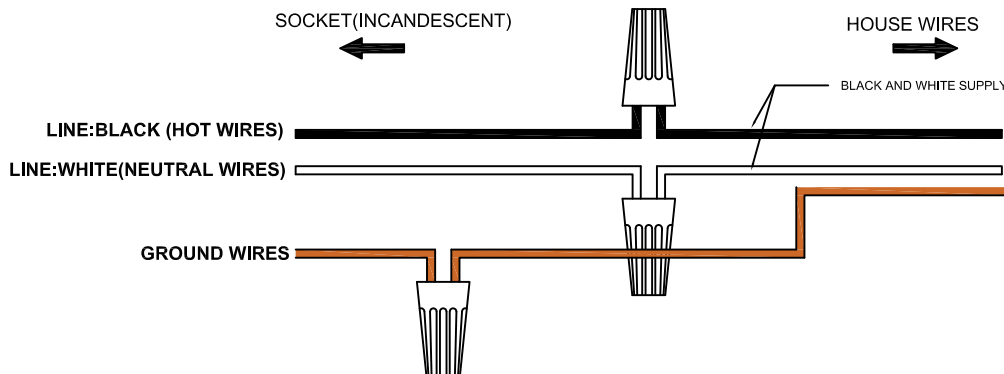
Si vous avez des questions ou des problèmes assemblage de votre dispositif s'il vous plaît appel pour l'assistance.

Customer Service: (702) 361-4345 or (800) 525-2655
customer.services@kalco.com

AVERTISSEMENT! POUR RÉDUIRE LES RISQUES D'INCENDIE OU DE BLESSURES S'IL VOUS PLAÎT PRENDRE DES PRÉCAUTIONS ET SUIVEZ LES ÉTAPES CI-DESSOUS.

1. Si vous n'êtes pas familier avec le câblage électrique, appelez un électricien qualifié pour installer cet appareil. Plus d'une personne peut être nécessaire d'installer appareil, assurez vous que vous disposez de l'aide assez qualifié.
2. Coupez l'alimentation au circuit de l'appareil sur le tableau de service. Utiliser un détecteur de tension pour vérifier que l'alimentation est coupée
3. NE PAS installer l'ampoule qui excède la puissance maximale indiquée sur l'étiquette du socket.

WIRING DIAGRAM





KALCO.
Handcrafted Since 1980

ASSEMBLY & INSTALLATION INSTRUCTIONS

MODEL: 404522

LAKWOOD 4 LIGHT MEDIUM WALL BRACKET

COMPONENT ASSEMBLY

STEP 1: Unscrew the screw to the top fixture frame and ball lock up of the glass panel frame to the back plate as shown.

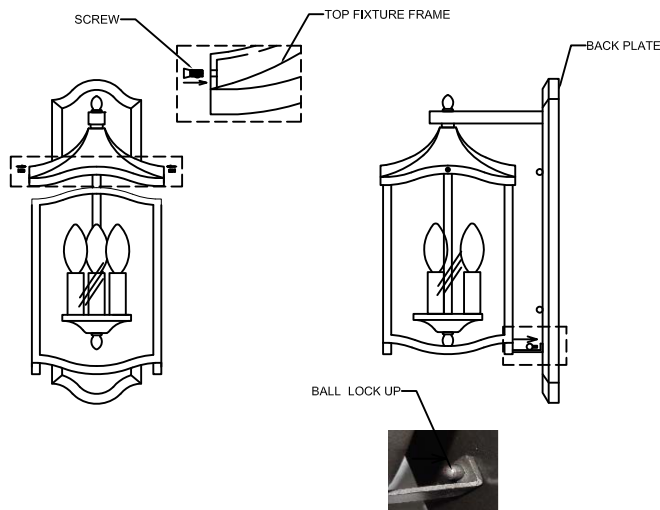
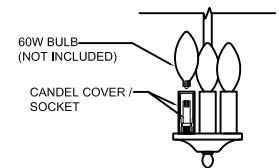
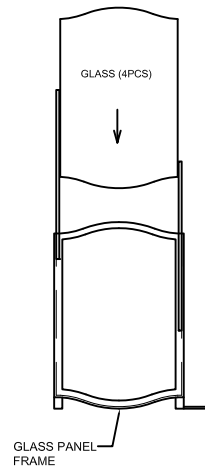
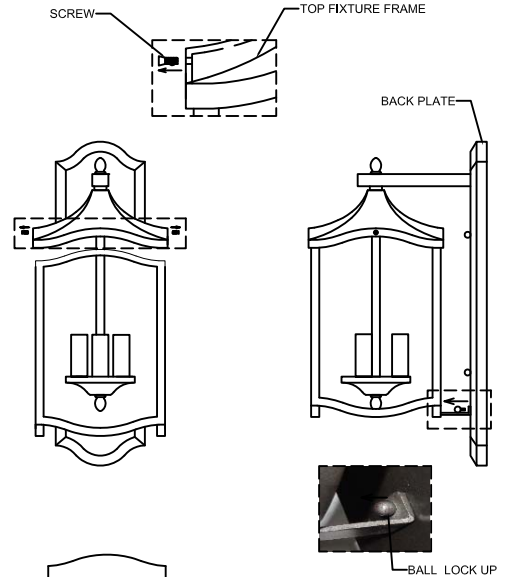
STEP 2: Drop the glass panel to the glass panel frame.

STEP 3: Insert the candle cover to the socket and install bulb, do not use bulbs that exceed 60 Watts.

STEP 4: Attach again the glass panel frame assembly to the main fixture as shown.

(Reverse Step 1.) Secure with ball lock up to the back plate and screw to the main fixture as shown.

NOTE: To avoid electric shock, apply water sealant on all sides of the fixture mounted on the wall.





KALCO.
Handcrafted Since 1980

ASSEMBLY & INSTALLATION INSTRUCTIONS

MODEL: 404522

LAKWOOD 4 LIGHT MEDIUM WALL BRACKET

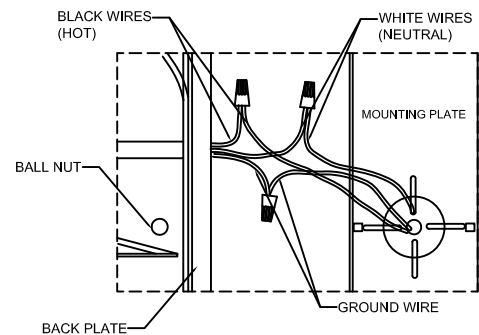
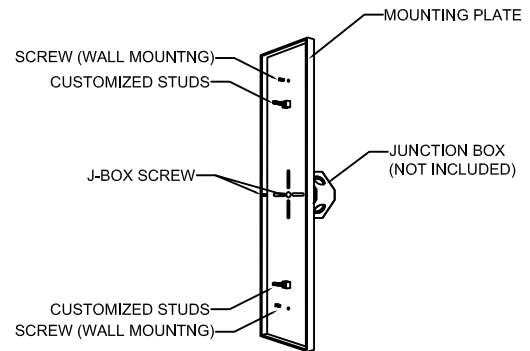
ELECTRICAL / MOUNTING INSTALLATION

STEP 5: Attach mounting plate to outlet box with the (2) 8-32 x 3/4" screws. Use the screw provided to mount in the wall.

STEP 6: Refer to wiring diagram. With wire carefully threaded thru back plate, connect the black supply wire to the black fixture wire with wire connector, connect the white supply wire to the white fixture wire with wire connector. Connect bare ground wire from the outlet box (if supplied) with connectors.

STEP 7: Carefully tuck all wires into outlet box ensuring that there are no wires pinched between the back plate and wall.

STEP 4: Lock in place using ball nut screws provided.



LIGHTING MAINTENANCE:

- Regular cleaning of fixture with proper and gentle care using a soft duster, soft lint-free or damp cloth is recommended.
- Refrain from using harsh cleaning liquids that may cause chemical reaction on the hand painted finishes.
- Always refer to the Assembly Instruction before removing any components.
- **HANDLE WITH CARE.**







KALCO
Handcrafted Since 1980

ASSEMBLY & INSTALLATION INSTRUCTIONS

MODEL: 404522
LAKEWOOD 4 LIGHT MEDIUM WALL BRACKET

PARTS LIST

IMAGE	PARTS NAME	QTY
	Screw	2 PCS
	Ball Nut	2 PCS
	Candle Cover	4 PCS
	Glass panel	4 PCS